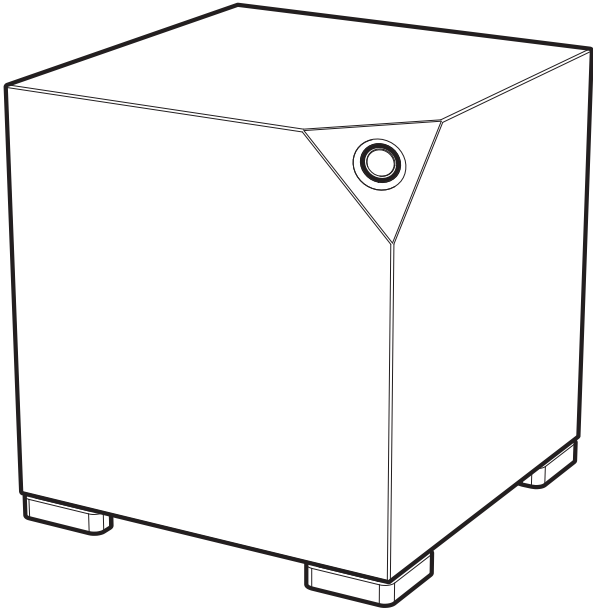




Inkubus



This is your Inkubus, just the way you wanted it.

In order to ensure having a reliable, longtime system, please read this manual before starting the Inkubus the first time.

As part of the delivery you receive a card that displays your serial number and the technical data. Your warranty information is provided on a separat document. Please take good care of these papers. We thank you for your trust and wish you much pleasure with your new Inkubus.

Your Inkubus-Team



Sebastian Voß




Daniel Schleichriem

Table of content


	Page
1. Scope of delivery	1
2.1 Starting guide	2
2.2 Connectivity	3
3.1 Maintenance	4
3.2 Varnish care instruction	5
4. Caution and remarks	6
5. Disposal	7
6. Declaration of conformity	8
7. Contact	9

1. Scope of delivery

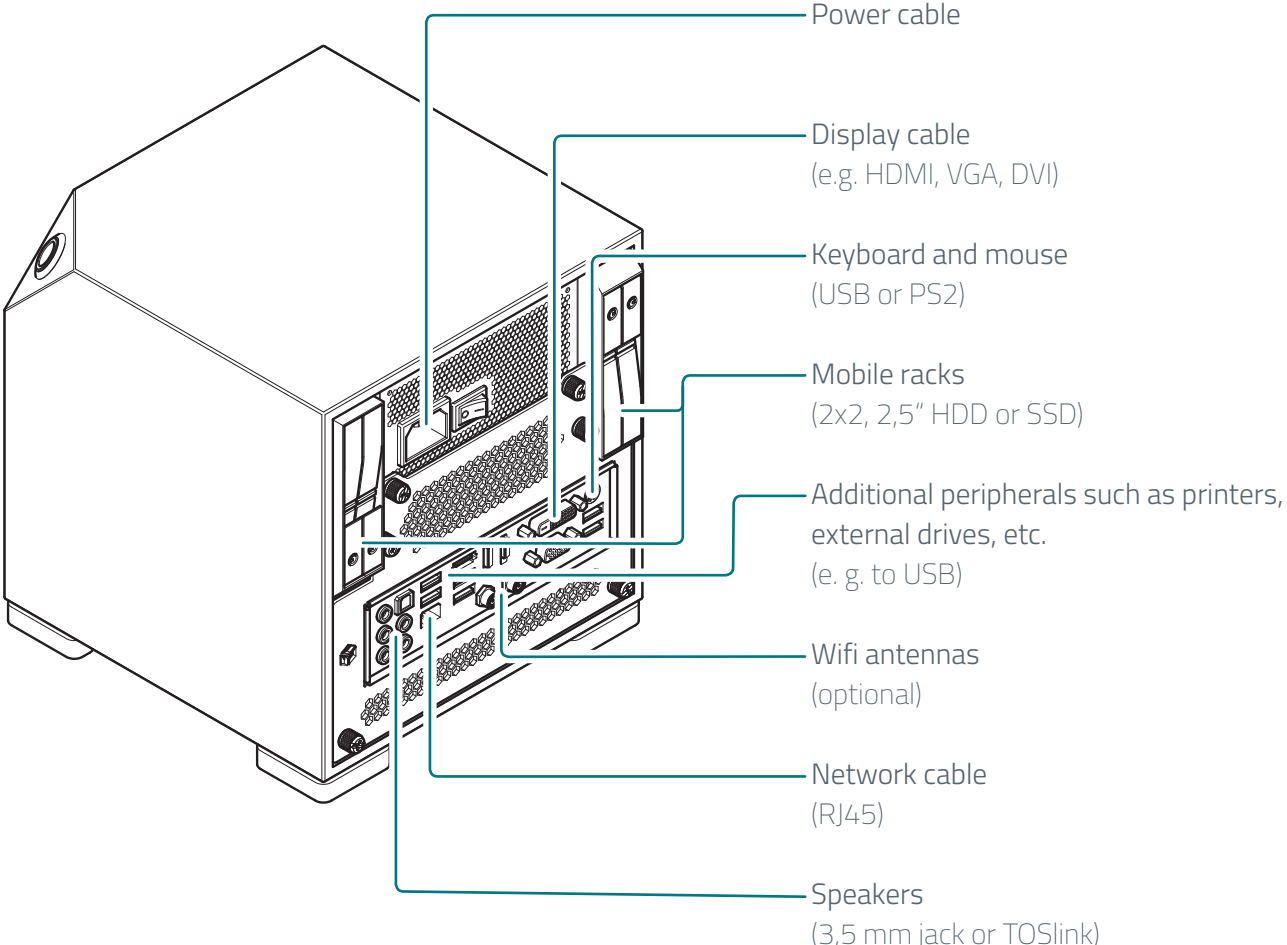
Please check the completeness of the delivery. If the delivery is not complete, please contact us or the retailer from whom you purchased the product immediately.

- Inkubus 300μ
- Mobile rack keys
- Card with serial number and warranty notes
-  Monitor, monitor cable, keyboard, mouse, printer, speakers and other peripherals are NOT included.

2.1 Starting guide

- 1 Remove the Inkubus carefully from the box and place it in the designated spot. Connect the peripherals in the following order:
- 2 Wifi antennas (optional)
Monitor cable (e.g., HDMI, VGA, DVI)
Keyboard and mouse (USB or PS2)
Speakers (3.5 mm jack or TOSlink)
Network cable (optional)
Other peripherals such as printers, external hard drives, optical drives (e.g. to USB)
Power cable
- 3 Make sure all cables are connected correctly. In some configurations the power supply has an on/off  switch. Set it to position -. Now you can start your Inkubus with the button on the front.

2.2 Connectivity



Sample configuration!

The number and position of the connections depends on the mainboard and power supply.

3.1 Maintenance

Use to clean the Inkubus:



- For the smooth surfaces (front, top, left, right) a damp cloth
- For the back and the bottom a dry cloth or compressed air
- For the removal of dust inside a compressed air spray, attach at the bottom. Because the mainboard is overhead, there is only a small amount of dust accumulation, so an interior cleaning every nine to twelve months is enough. No need to open the case.

Do not use to clean the Inkubus:



- Liquids
- Aggressive detergents (alcohol, benzine, abrasive)
- sharp objects (spatula, scrub, etc.)

This can lead to cosmetic damage to the lacquer surface or even damage to the electronics.

3.2 Varnish care instruction

The surface is sealed with Remmers-PUR lacquers. This protects the wood from soiling, as well as from mechanical and chemical stress. However, due to daily use, the seal is subject to natural wear and tear. To maintain the beauty of the surface, regular care is required.

In principle, the painted surfaces should only be wiped with a dry dust cloth. Please do not use microfibre cloths as they can damage the surface irreparably.

For heavier soiling, wiping with a dampened wipe cloth is usually sufficient.

If necessary, a neutral cleaner can be added to the wiping water. Then wipe the surface with a damp cloth and rub dry.

4. Caution and remarks



The Inkubus is an electrical device. We assume no liability for damage to persons or objects as a result of opening or improper handling, in particular the introduction of electrically conductive materials into the device, commissioning in case of obvious damage to the device, commissioning despite contact of the device with liquid and connection of the device to a current source without protective contact.

Liability for data loss:

We are not liable for any kind of data loss. Recommendation: Back up your data on a regular basis via the mobile racks or an external memory.

Software errors:

Please contact the responsible publisher (e.g. Microsoft) for errors in the software (operating system, program).

5. Disposal

The Inkubus contains electronic components, which may not be disposed of in domestic waste. Please inform about the proper disposal of a PC at your local authority.

Naturally, we will gladly take care of your disposal at your request. Just let us have a simple letter or e-mail for this and we will contact you regarding further action.

This does not incur any costs for disposal.



6. Declaration of conformity (German)

Der Hersteller erklärt hiermit, dass das Produkt

Name: *Inkubus 300 μ* **Baujahr:** *2015ff*
Typ: *Einzelplatzrechner* **Varianten:** *alle*

den folgenden Richtlinien entspricht:

- *2011/65/EU RoHS*
- *2014/30/EU EMC*
- *2014/53/EU R&TTE*
- *2014/35/EU Niederspannungsrichtlinie*

Zur Beurteilung der Konformität wurden folgende Normen herangezogen:

EN 50581: 2012

EN 55022: 2006+A1: 2007

EN 55024: 1998 + A1:2001 + A2:2003

EN 61000-3-2: 2009; EN 61000-3-3: 2008

IEC 61000-4-2: 2008; IEC 61000-4-3: 2010; IEC 61000-4-4: 2010;

IEC 61000-4-5: 2005; IEC 61000-4-6 2008; IEC 61000-4-8: 2009;

IEC 61000-4-11: 2004;

IEC 60950-1: 2006 + A11:2009 + A1:2010 + A12:2011

EN 60950-1: 2014-08

PAK nach ZEK 01.4-08

CE Die Konformität des Produkts mit den oben genannten Normen und Richtlinien wird durch das CE-Zeichen bestätigt.

Essen, 23. Januar 2015

Ort, Datum

Sebastian Voß
Geschäftsführer Inkubus UG (haftungsbeschränkt)



7. Contact

Inkubus UG (haftungsbeschränkt)
Schultenweg 52
D – 45279 Essen

Tel.: +49 (0) 201 616181-00

Fax: +49 (0) 201 616181-02

E-Mail: info@inkubus.de

www.inkubus.de